



By appointment to The Royal Danish Court

**morsø**  
energy efficient  
wood stoves



2013



For more than 160 years, Morsø has spread warmth through our homes, creating memorable moments of pure happiness, closeness, peace of mind. And comfort.

## A choice for life

When you eventually put this literature down, the likelihood is you'll be sold. You'll have fallen for Morsø's timeless look. You'll have fallen in love with cast iron's unique properties. And you'll be convinced of our stoves' obvious advantages for the environment.

But believe us – when you describe your relationship with your Morsø in the future, it won't be the design, the cast iron or the stove's green-friendly impact which will fuel your fondness. By then, your stove will have already become one of the most-loved items of furniture in your home. A trusty source of comfort, you will love it for its sound, look and warmth. And for the glow of happiness it has spread throughout the house year after year.

To choose a Morsø is, in other words, to make a choice for life.



By appointment to The Royal Danish Court

**morsø**

a choice for life

# C O N T E N T S

2	A choice for life
4	Morsø's history
6	The environmental standards
8	Choosing the right stove for you
10	5660 Fireplace inserts
12	1710 & 3610
14	2110 & 7110
16	2B-Series
18	1400-Series
20	3400 Series
22	3100 Series
24	6100 Series
28	7600 Series
32	7900 Series
38	8100 Series
40	Morsø Living Products
44	Morsø original accessories

2013 | 727892 | Country of Origin: Denmark  
Morsø reserves the right to make changes without notice.

## A long history. Told in brief.



The history of Morsø Jernstøberi dates all the way back to 1853, when business graduate, N. A. Christensen, started his own iron foundry on the Limfjord island of Mors. In the first few years, the small handful of employees manufactured everything from barn windows and memorial crosses to cooking stoves, pots and pans. However, N. A. Christensen wasn't just your usual business man. With his well-honed talent for good business and his many creative and forward-thinking ideas, he quickly succeeded in turning the company into one of the country's leading iron foundries, and towards the close of the century, Morsø's cast goods were well-known throughout the country. Especially the popular solid fuel stoves and cooking stoves, which had now become the company's most important brand.

### **Royal warmth**

At the turn of the 20<sup>th</sup> century, Morsø began supplying heating systems to churches, schools and a number of public buildings, including the state railways and various ministries. And at the start of the 1900s, the popular imperial-style stoves found their way into the royal apartments at Amalienborg. In 1915, various stoves had already been supplied to the palaces at Amalienborg and to several other royal residences, and the company was therefore bestowed the prestigious title of Purveyor to His Majesty the King by King Christian X. Later, in 1969, the title was changed to By Appointments to the Royal Danish Court.



### Always in front

Right from the earliest years, development and innovation have been an important driving force for Morsø Jernstøberi. Various history-making products and principles have, therefore, put the beautiful island in Limfjord on the map. For example, the convection principle, which at the turn of the new century was developed in cooperation with other foundries, and which has set completely new standards on how efficiently and especially how comfortably we can heat our homes with a solid fuel stove.

When central heating and, therefore, radiators began to make their mark in Danish homes in the 1950s, the solid fuel stove was out of fashion. But Morsø showed once again that it had its finger on the pulse, when the revolutionary open fireplace stove, the 1122, was launched. In so doing, Morsø opened up a completely new market and a completely new way of making life warmer. In two senses of the word.

In summary, Morsø has, step by step, led the way in both new designs and new ways of combining form and function; efficiency with beauty and comfort – and also in recent years with environmental awareness.

## It's not just our stoves which are environmentally friendly

In keeping with the spirit of the times, the environment plays an important role at Morsø. A priority that has been championed, long before it became fashionable to think along such green paths.

What we should be saying is, what is it that is missing that can help make your Morsø stove the absolutely right environmental choice?



### Safety is standard

Morsø's wood-burning stoves meet some of the strictest environmental standards in the world. This mainly applies to Norwegian Standard NS 3058/3059 and EPA, which sets out stringent requirements on minimizing particle emissions. To highlight our environmental focus, the majority of Morsø's stoves are, today, also certified to the Nordic Swan Eco-label. This not only focuses on minimising the stove's impact on the environment when in operation, it also focuses on the impact on the environment caused by the actual production and choice of packaging etc.

Our range of stoves are approved in the US by EPA.

All our stoves comply with European Standard EN 13 240, which, in other words, means that the stoves are CE-marked.





---

### **Recycled iron**

98 percent of the material used in our cast-iron stoves comes from scrap which has been recycled. This is particularly good for the environment. It's quite fascinating to think that your new stove might have once been a bicycle. Or a lamp post. Or a ...

---

### **Sustainable energy**

It's no secret that lots of energy is used in manufacturing. We therefore make sure that at least 80% of our energy consumption comes from renewable energy sources, mainly wind energy. You won't find such a high percentage in many other companies .

---

### **Recycled packaging**

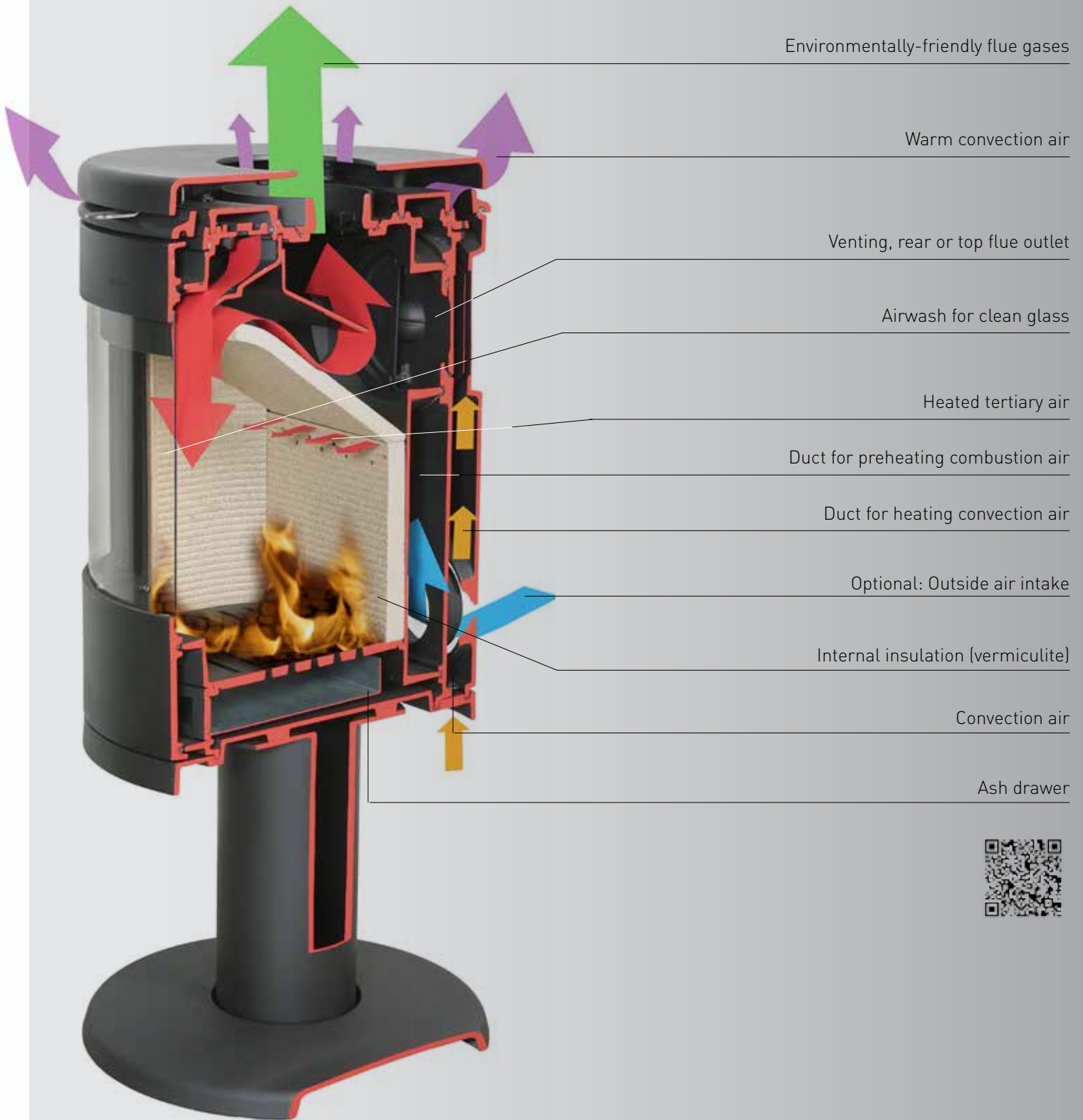
When you receive your Morsø stove from the dealer, it will be packed in recycled packaging. We also use minimum print colors in the packaging – and the small amount we do use is solely water-based.

---

### **Waste management**

There's nothing that's so useless it can't be used for something. We take this quite literally at Morsø Jernstøberi, where the vast majority of our waste is sorted and reused for the benefit of the environment. This applies, in particular, to surplus or scrapped stoves or cast iron plates, which are sent off for re-smelting. You can see that we take this seriously by, e.g., the fact that our sorting center is certified to the international standard for environmental management, ISO 14001.

---



We're hot for fire. One of our most important goals is the production of environmentally-aware stoves, and we happily describe ourselves as experts in combustion technology. This cross-section of one of our stoves shows the Morsø combustion system, where the channels ensure correct heating of the air. Cold air is drawn into the stove and fed through the stove's channels. Some of the heated air washes over the glass keeping it clean and free from soot.

This preheated air is also fed to the top of the flames. Here it is called tertiary air. The tertiary air automatically creates environmental consumption, thus igniting the gases in the wood. The air intake fitted to the Morsø 8100, 7600, 6100 series is factory fitted to allow combustion air to be taken in-house or from outside. An optional outside air kit is available for the 2110, 3610, 3400s, 3100s, 5660s and 7100 models.





## Choosing the right stove for you

The Morsø range is extensive and encompasses stoves that cover a whole variety of needs. So, despite the fact that the natural thing is to let taste and appeal decide and to start by looking at the various model designs, we recommend you consider a few points first.

### **Radiant or convection stove?**

There are two different types of stove: radiant stoves and convection stoves. The radiant stove concentrates the heat around the stove itself, while the convection stove quickly distributes the heat out into the whole room. The type you choose will therefore greatly depend on what you want your stove for. If you want coziness and warmth close to the stove, the radiant stove is a good choice. If, on the other hand, the stove is also to play an effective role in heating your home as a primary heat source, you should choose a convection stove.

### **What size?**

Sizing your stove correctly is essential if you are to extract maximum pleasure and peak performance from your investment. A stove that is too large may produce too much heat for the area you are heating and a stove that is too small may not produce enough. There are several key factors to consider when choosing the right stove for you.

**Heat Requirement** – What do you want from your stove? Do you want to heat your whole house or do you only need to supplement your home heating costs by heating your immediate living space (zone heating)? Heating a large area often requires burning more fuel in stove that can deliver the required high heat output. Heating a small space requires less heat, less fuel and generally a smaller stove.

**Climate Zone** – Homes in colder, Northern climates generally require more heat output than homes of a similar size in more Southern climates.

**Home Insulation** – Ultimately, your home's ability to retain heat is critical if you are to maintain a warm and cosy living environment. A home that is poorly insulated or has excessively large windows will generally require more heat output in order to compensate for the excess heat-loss of the home.

The 'Max Area Heated' mentioned throughout this book should only be used as general guidance, it is not a guarantee. Before deciding on your Morsø stove we recommend you have the energy rating of your home properly accessed by a qualified heating engineer.

# 5660 standard - Fireplace Insert



In addition, you can chose to add a large exterior glass that will cover the entire cast iron door. This gives the insert the look of a completely glass door.

## 5660 standard



### Convection

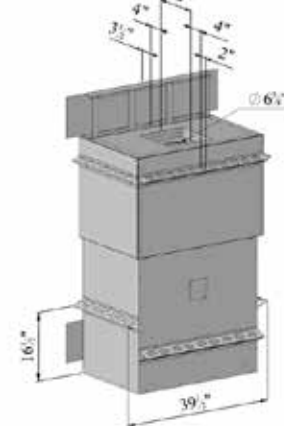
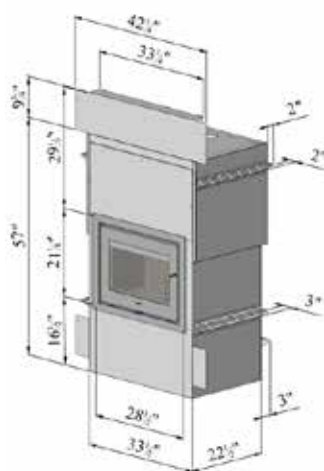
Maximum Heat . . . . .	50,000 BTU/hr
Test fuel load . . . . .	10.43 lbs
Particulate Emission . . . . .	4.5 grm/hr
Log size . . . . .	20"
Max. Area Heated . . . . .	2200 ft <sup>2</sup>
Firebox Dimensions . . . . .	20 3/4" W x 11" D
Fireplace opening . . . . .	28 3/4" W x 19 1/4" D x 21 1/4" H
Firebox volume/capacity . . . . .	1.49 ft <sup>3</sup>
Gross Weight . . . . .	275 Lbs
Efficiency rating (as measured by LHV) . . . . .	75%+
Outside air supply . . . . .	Available
Washington State . . . . .	Compliant

### Basic Clearance

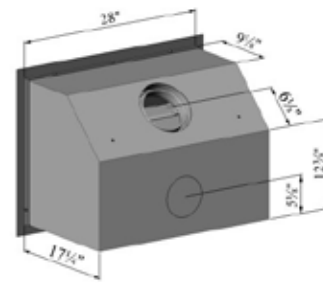
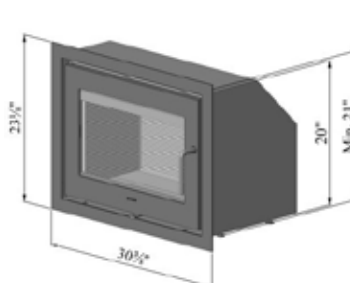
Stove to side wall . . . . .	17"
Stove to top . . . . .	26 1/2"
Stove to side trim . . . . .	8"
Stove to mantle . . . . .	28 1/2"

### Optional:

3-sided wide trim kit . . . . .	40" (W) x 25" (H)
4-sided wide trim kit . . . . .	40" (W) x 33" (H)
Morsø 5660 Zero-Clearance Enclosure . . . . .	67" H x 39 3/4" W x 25 1/2" D
Optional 5660 Zero Clearance Enclosure	



Optional 5660 Zero Clearance Enclosure



# 5660 NA blower model - Fireplace Insert



Shown here with optional wide trim

The **Morsø 5660** is an advanced fireplace insert, which fully lives up to our craftsmanship traditions. The design is strict, modern and stylish, while the cast iron's raw and living structure gives the insert a rustic tone. Our innovative insert has an advanced combustion system supplied with tertiary air, enabling the stove to comply with the strictest, modern requirements for environmentally-conscious heating. The fireplace has an extra large combustion chamber which can accommodate fuel sizes of up to 20" – for those cold winter evenings. For new home installations an optional Morsø 5660 Zero-Clearance Enclosure is available for each 5660 model (specific installation instructions apply). The recommended framing dimension for the Morsø 5660 Zero-Clearance Enclosure is: 67" H x 39 3/4" W X 25 1/2" D.

## 5660 NA blower model

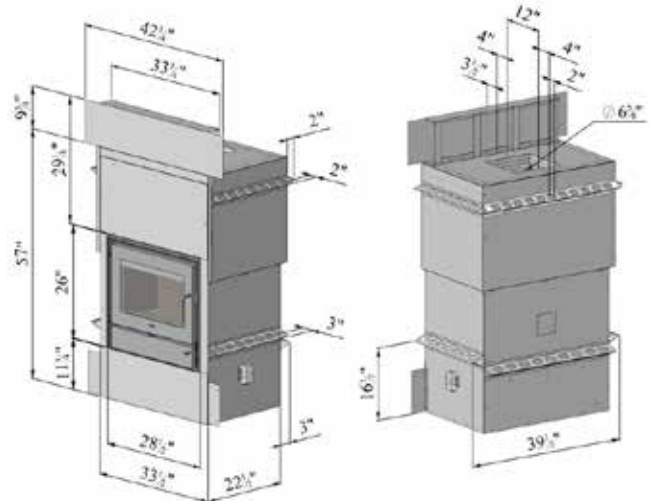


Convection  
 Maximum Heat . . . . . 50,000 BTU/hr  
 Test fuel load . . . . . 10.43 lbs  
 Particulate Emission . . . . . 4.5 grm/hr  
 Log size . . . . . 20"  
 Max. Area Heated. . . . . 2200 ft<sup>2</sup>  
 Firebox Dimensions . . . . . 20 3/4" W x 11" D  
 Fireplace opening . . . . . 28 3/4" W x 19 1/4" D x 26" H  
 Firebox volume/capacity . . . . . 1.49 ft<sup>3</sup>  
 Outside air supply . . . . . Available  
 Gross Weight . . . . . 383 Lbs  
 Efficiency rating (as measured by LHV) . . . . . 75%+  
 Washington State. . . . . Compliant

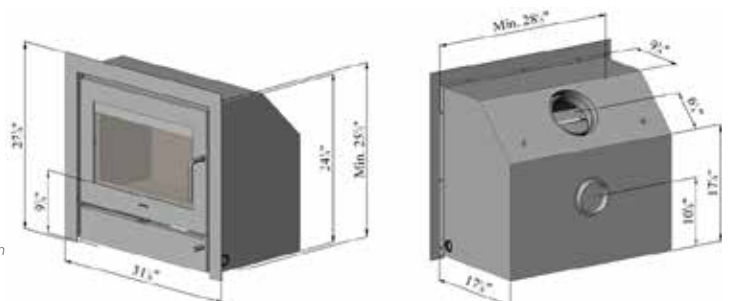
Basic Clearance  
 Stove to side wall. . . . . 17"  
 Stove to top . . . . . 26 1/2"  
 Stove to side trim. . . . . 8"  
 Stove to mantle. . . . . 26 1/2"

Optional:  
 3-sided wide trim kit . . . . . 40" (W) x 31 3/4" (H)  
 Morsø 5660 Zero-Clearance Enclosure . . . . . 67" H x 39 3/4" W x 25 1/2" D  
 Optional 5660 Zero Clearance Enclosure  
 Blower kit

For all clearance options download installation manual from [www.morsona.com](http://www.morsona.com)



Optional 5660 Zero Clearance Enclosure



# 1710



The **Morsø 1710** is a cast-iron romantic from bygone days. The Morsø 1710 has a classic and nostalgic look, perfect for many older houses, where a warm atmosphere is to be emphasised. We have created a fireplace insert with fine, arched windows, which underlines the bright and cheery embers. The Morsø 1710 works on the convection principle, which ensures a wonderful, steady heat without the need of a blower. 2 optional wide trim-kits are available for wide fireplace openings (40" W x 30" H) and 32 1/4" W x 24 1/4" H.

## 1710



### Radiant

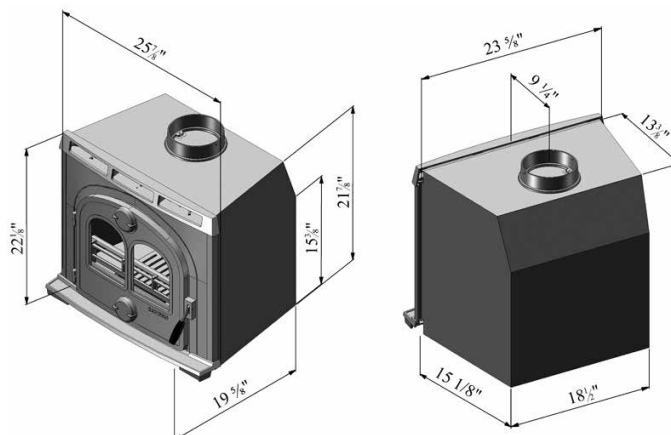
Maximum Heat . . . . .	39,000 BTU/hr
Test fuel load . . . . .	7.7 lbs
Particulate Emission . . . . .	4.3 grm/hr
Log size . . . . .	16"
Max. Area Heated . . . . .	.1300 ft <sup>2</sup>
Firebox Dimensions . . . . .	18" W x 12" D x 14 1/2" H
Firebox volume/capacity . . . . .	1.1 ft <sup>3</sup>
Outside air supply . . . . .	Not Available
Gross Weight . . . . .	280 Lbs

### Basic Clearance (using single wall pipe top vent)

Stove to side wall . . . . .	15"
Stove to top . . . . .	22"
Stove to side trim . . . . .	.8"
Stove to mantle . . . . .	29"

### Optional:

Small wide trim kit . . . . .	32" w x 25 1/4" h
Large wide trim kit . . . . .	40" w x 29 1/4" h





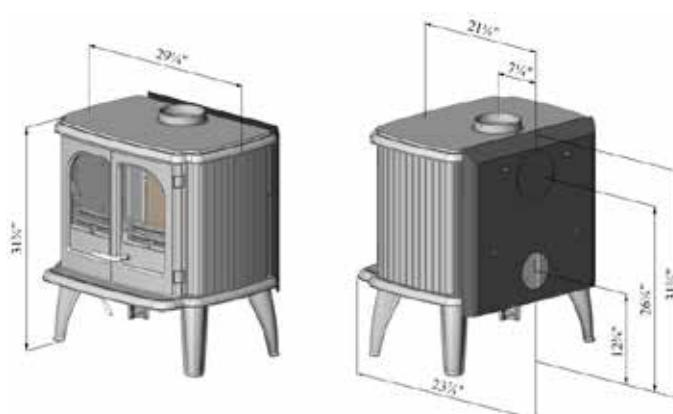
**A North American Classic With A Scandinavian Twist.** The Morsø 3610 features a classic design with a modern 'edge' and is the largest wood stove in the Morsø product line. The high heat output and large firebox capacity makes this model particularly suitable for large traditional or modern living spaces. It features double door design with large 'air-washed' glass panels for a great view of the fire, two internal ash pans for convenient and clean ash removal, and a side loading door makes refueling a breeze. The Morsø 3610 comes factory fitted with rear and bottom heat shields as standard. Robust yet elegant the 3610 is a real workhorse controlled by a single-handed air control lever at the front.

**3610**



- Radiant
- Maximum Heat . . . . . 60,000 BTU/hr
- Test fuel load . . . . . 14.98 lbs
- Particulate Emission . . . . . 5.2 grm/hr
- Log size . . . . . 24"
- Max. Area Heated . . . . . 2400 ft<sup>2</sup>
- Firebox Dimensions . . . . . 24" W x 13½" D
- Firebox volume/capacity . . . . . 2.14 ft<sup>3</sup>
- Gross Weight . . . . . 439 Lbs
- Outside air supply . . . . . Available

- Basic Clearance (using single wall pipe top vent)
- Stove to side wall . . . . . 18"
- Stove to rear wall . . . . . 17"
- Stove to corner . . . . . 13"



For all clearance options download installation manual from [www.morsona.com](http://www.morsona.com)

# 2110



**Morsø 2100** Nostalgic look, glowing with Danish charm. The 2110, which is very spacious and effective, and the creation of the English designers, Queensbury Hunt. Together with the designers, we have created a powerful radiant stove, which is a true representative of the proud Morsø inheritance. The Morsø 2110 has an extra wide combustion chamber, allowing the use of large-sized fuel. At the same time, the width of the doors facilitate large glass windows, allowing you to gaze at the slow crackling fire.

## 2110

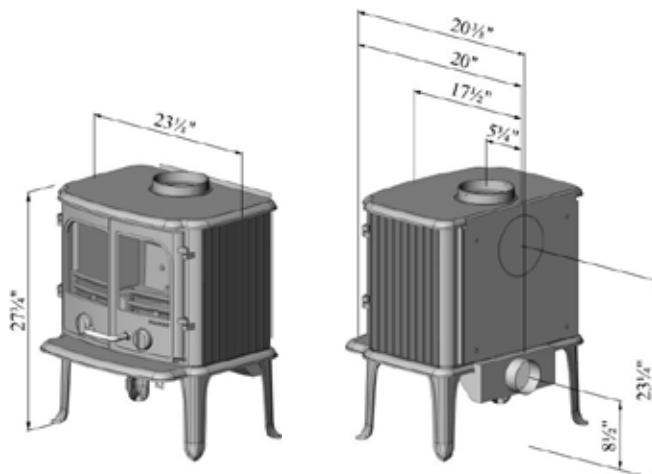


Radiant

Maximum Heat . . . . .	42,000 BTU/hr
Test fuel load . . . . .	7.65 lbs
Particulate Emission . . . . .	4.3 grm/hr
Log size . . . . .	18.5"
Max. Area Heated . . . . .	1400 ft <sup>2</sup>
Firebox Dimensions . . . . .	18¾" W x 12½" D
Firebox volume/capacity . . . . .	1.093 ft <sup>3</sup>
Outside air supply . . . . .	Available
Gross Weight . . . . .	279 Lbs
Washington State . . . . .	Compliant

Basic Clearance (using single wall pipe top vent)

Stove to side wall . . . . .	22"
Stove to rear wall . . . . .	20"
Stove to corner . . . . .	16"



For all clearance options download installation manual from [www.morsona.com](http://www.morsona.com)



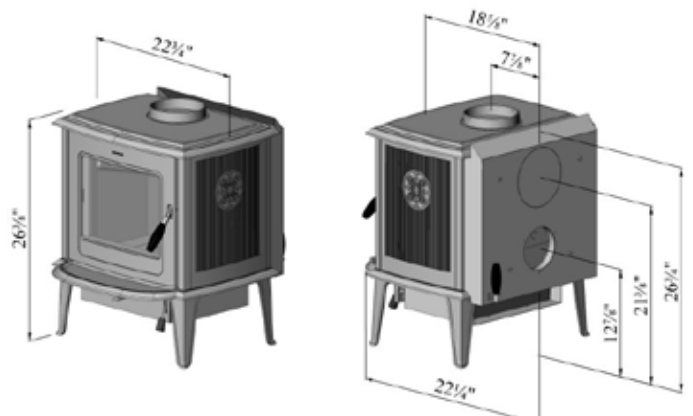
**A Modern Interpretation of Classic American Design.** The Morsø 7110, designed specifically to meet the needs of the North American markets offers classic design elements with a modern presentation. The single door approach incorporates a large 'air-washed' window for a fantastic, unobstructed view of the fire. Perfect for medium sized living spaces the Morsø 7110 features an external ash pan for clean and convenient ash removal, a reversible flue collar for flexible installation and rear and bottom heat shields come fitted as standard. The beautifully crafted side castings feature an ancient Viking Symbol, The St Johannes Shield.

**7110**



Radiant	
Maximum Heat	38,000 BTU/hr
Test fuel load	7.28 lbs
Particulate Emission	3.8 grm/hr
Log size	.16.5"
Max. Area Heated	1300 ft <sup>2</sup>
Firebox Dimensions	.17½" W x 9" D
Firebox volume/capacity	.1.04 ft <sup>3</sup>
Outside air supply	Available
Gross Weight	309 Lbs
Efficiency rating (as measured by LHV)	75%+
Mobile home approved	Yes
Washington State	Compliant

Basic Clearance (using single wall pipe top vent)	
Stove to side wall	.16"
Stove to rear wall	.6½"
Stove to corner	.8½"



For all clearance options download installation manual from [www.morsona.com](http://www.morsona.com)

# 2B classic



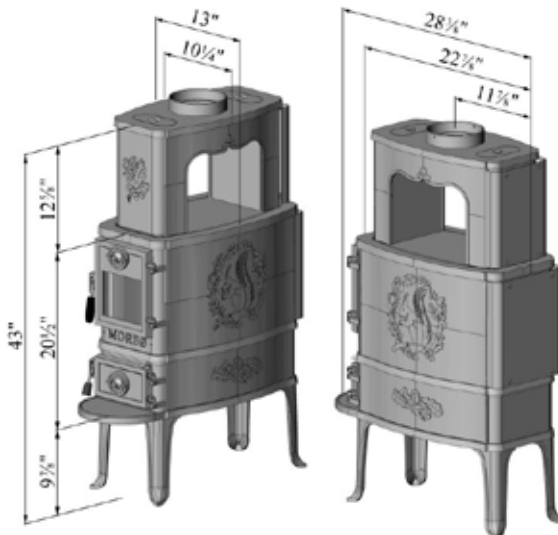
## 2B classic



Radiant

Maximum Heat . . . . .	35,000 BTU/hr
Test fuel load . . . . .	5.74 lbs
Particulate Emission . . . . .	3.9 grm/hr
Log size . . . . .	18"
Max. Area Heated . . . . .	1200 ft <sup>2</sup>
Firebox Dimensions . . . . .	7" W x 21½" D
Firebox volume/capacity . . . . .	0.82 ft <sup>3</sup>
Gross Weight . . . . .	253 Lbs
Efficiency rating (as measured by LHV) . . . . .	75%+

Outside air supply . . . . .	Not available
Basic Clearance (using single wall pipe top vent)	
Stove to side wall . . . . .	26"
Stove to rear wall . . . . .	7"
Stove to corner . . . . .	22"



**Morsø 2B classic** No past – no future. At the beginning of the 1930s, the sculptor, Constantin Sørensen, created this impressive radiant stove, featuring Morsø’s well-known decoration of squirrel and oak leaves. Then, as today, the 2B Classic is in great demand, and with its almost stately appearance, the stove is perfect for patrician and farm style homes. The stove’s special feature is its combustion chamber, which can accommodate extra long fuel measuring up to 18”. We have completely updated the combustion technology in the Morsø 2B Classic, so that it now meets today’s stringent environmental requirements. There’s almost no better way to have a fire than with the Morsø 2B Classic.

For all clearance options download installation manual from [www.morsona.com](http://www.morsona.com)





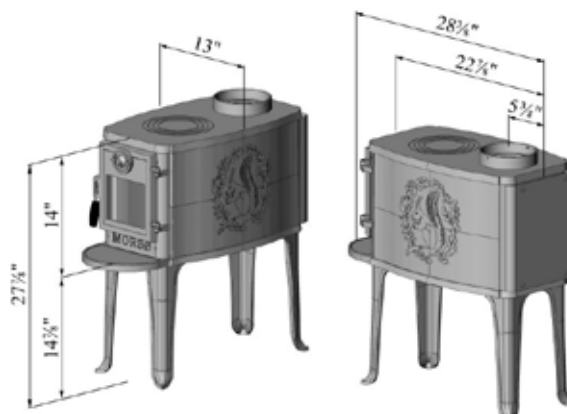
The **Morsø 2B standard** is a relaunch of the classic cast-iron 2B standard from the 1930s. The model, which was called the "Forest Stove", is almost identical to the original version with its oblong shape, spacious combustion chamber and beautiful decorations. The new design weft comprises a glass door, which spreads the fire's magical crackling through the room. And, of course, the technical side of the Forest Stove has also been updated with the latest combustion technology, just like all other Morsø stoves.

### 2B standard



Radiant  
 Maximum Heat . . . . . 35,000 BTU/hr  
 Test fuel load . . . . . 5.64 lbs  
 Particulate Emission . . . . . 4.1 grm/hr  
 Log size . . . . . 18"  
 Max. Area Heated . . . . . 1200 ft<sup>2</sup>  
 Firebox Dimensions . . . . . 17" W x 21½" D  
 Firebox volume/capacity . . . . . 0.806 ft<sup>3</sup>  
 Gross Weight . . . . . 156 Lbs  
 Outside air supply . . . . . Not available

Basic Clearance (using single wall pipe top vent)  
 Stove to side wall . . . . . 26"  
 Stove to rear wall . . . . . 16"  
 Stove to corner . . . . . 16"



For all clearance options download installation manual from [www.morsona.com](http://www.morsona.com)

# 1400-series



**Morsø 1400-series** A steady beating heart. The Morsø 1400 is the quintessence of a charming stove. It represents what was the heart of many a home, what we know and remember from our childhood. The combustion technology of these classic stoves have since then been further developed and improved so that harmful particles and surplus gasses are burnt off. That's why, today, the stoves fulfil the strictest environmental requirements and also bear the Nordic Swan Eco-label. We have also fitted the stove with a glass door, so you can see in to the flames. But not everything has changed, since, despite all the new technology, we have chosen to leave the small details be, so Morsø's characteristic squirrel can still be found on the sides.

The 1410 is a classic radiant stove decorated with the squirrel motif on the sides. The 1410 is also available as an Anthracite Coal burning model. The 1440 is a convection stove with squirrel motif.

## 1410

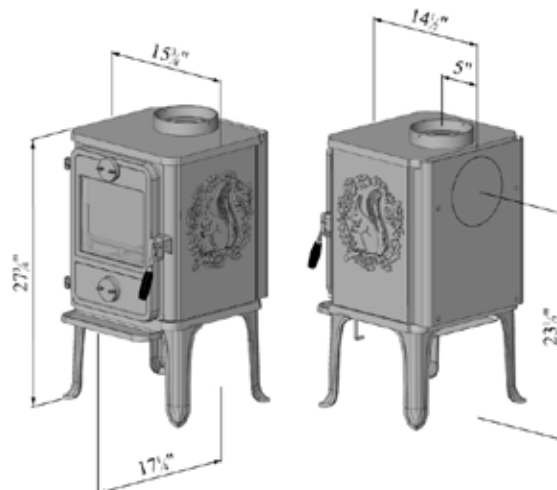


Radiant

Maximum Heat . . . . .	30,000 BTU/hr
Test fuel load . . . . .	5-15 lbs
Particulate Emission . . . . .	3.3 gm/hr
Log size . . . . .	12"
Max. Area Heated . . . . .	1000 ft <sup>2</sup>
Firebox Dimensions . . . . .	12 1/4" W x 10 3/4" D
Firebox volume/capacity . . . . .	0.736 ft <sup>3</sup>
Outside air supply . . . . .	Not Available
Gross Weight . . . . .	215 Lbs
Efficiency rating (as measured by LHV) . . . . .	75%+

Basic Clearance (using single wall pipe top vent)

Stove to side wall . . . . .	20"
Stove to rear wall . . . . .	16"
Stove to corner . . . . .	14"



For all clearance options download installation manual from [www.morsona.com](http://www.morsona.com)

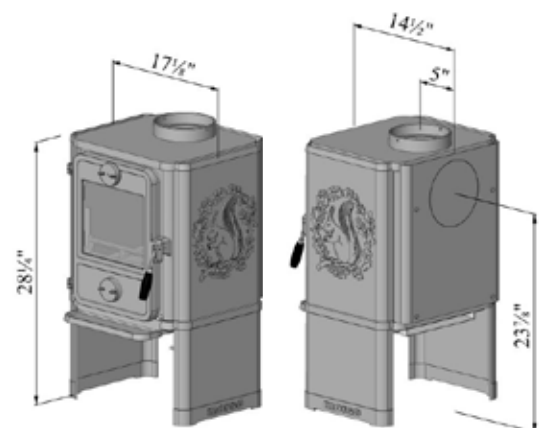


**1440**



- Convection
- Maximum Heat . . . . . 30,000 BTU/hr
- Test fuel load . . . . . 5.15 lbs
- Particulate Emission . . . . . 3.3 gm/hr
- Log size . . . . . 12"
- Max. Area Heated . . . . . 1,000 ft<sup>2</sup>
- Firebox Dimensions . . . . . 12 1/4" W x 10 1/4" D
- Firebox volume/capacity . . . . . 0.736 ft<sup>3</sup>
- Outside air supply . . . . . Not Available
- Gross Weight . . . . . 222 Lbs
- Efficiency rating (as measured by LHV) . . . . . 75%+

- Basic Clearance (using single wall pipe top vent)
- Stove to side wall . . . . . 8"
- Stove to rear wall . . . . . 10"
- Stove to corner . . . . . 7"



For all clearance options download installation manual from [www.morsona.com](http://www.morsona.com)

# 3400-series



## 3440



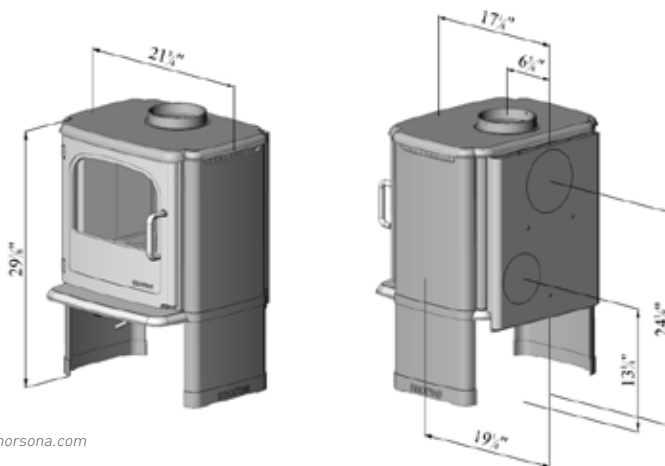
Convection

Maximum Heat . . . . . 35,000 BTU/hr  
 Test fuel load . . . . . 6.97 lbs  
 Particulate Emission . . . . . 3.5 grm/hr  
 Log size . . . . . 15"  
 Max. Area Heated . . . . . 1200 ft<sup>2</sup>  
 Firebox Dimensions . . . . . 15½" W x 13" D  
 Firebox volume/capacity . . . . . 0.995 ft<sup>3</sup>  
 Outside air supply . . . . . Available  
 Gross Weight . . . . . 279 Lbs  
 Efficiency rating (as measured by LHV) . . . . . 75%+

Mobile home approved . . . . . Yes  
 Washington State . . . . . Compliant

Basic Clearance (using single wall pipe top vent)

Stove to side wall . . . . . 18"  
 Stove to rear wall . . . . . 18"  
 Stove to corner . . . . . 16"



For all clearance options download installation manual from [www.morsona.com](http://www.morsona.com)

**Morsø 3400-series** We designed the stove together with the well-known, English design company, Queensbury Hunt Levien, retaining the classic Morsø lines and stylish look, while also integrating an advanced combustion system. The wide door with large stove glass provides a wonderful view of the flames, helping create both mood and heat in the home. The stove is available with smooth convection panels or beautiful natural soapstone.



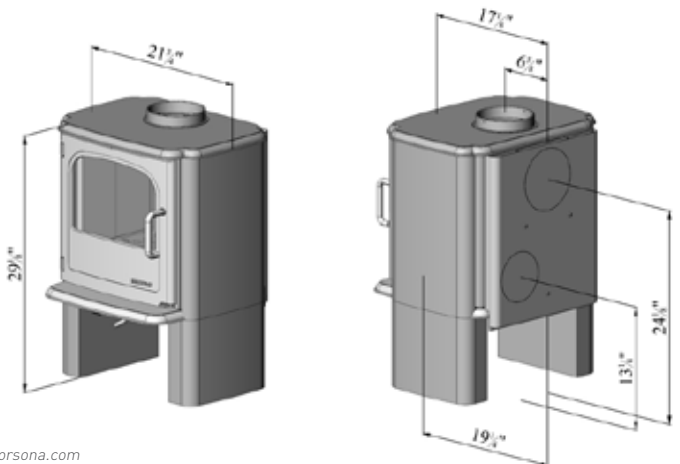
**3450**



Radiant  
 Maximum Heat . . . . . 35,000 BTU/hr  
 Test fuel load . . . . . 6.97 lbs  
 Particulate Emission . . . . . 3.5 grm/hr  
 Log size . . . . . 15"  
 Max. Area Heated . . . . . 1,200 ft<sup>2</sup>  
 Firebox Dimensions . . . . . 15½" W x 13" D  
 Firebox volume/capacity . . . . . 0.995 ft<sup>3</sup>  
 Outside air supply . . . . . Available  
 Gross Weight . . . . . 440 Lbs  
 Efficiency rating (as measured by LHV) . . . . . 75%+

Mobile home approved . . . . . Yes  
 Washington State . . . . . Compliant

Basic Clearance (using single wall pipe top vent)  
 Stove to side wall . . . . . 16"  
 Stove to rear wall . . . . . 12"  
 Stove to corner . . . . . 12"



For all clearance options download installation manual from [www.morsona.com](http://www.morsona.com)

# 3100-series



## 3142



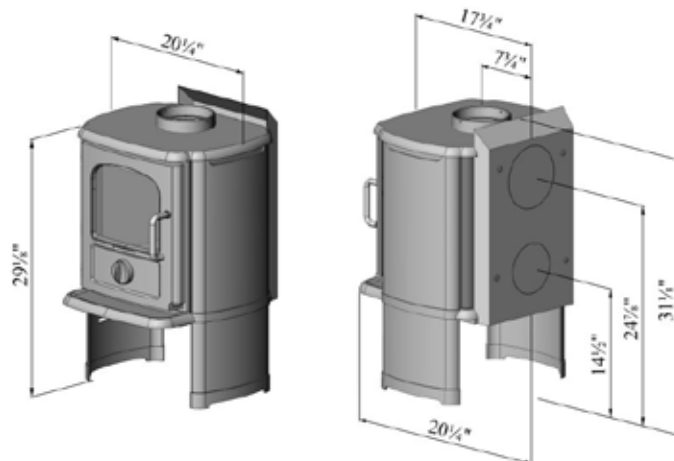
Convection

Maximum Heat . . . . . 30,000 BTU/hr  
 Test fuel load . . . . . 6.3 lbs  
 Particulate Emission . . . . . 3.1 grm/hr  
 Log size . . . . . 12"  
 Max. Area Heated . . . . . 1000 ft<sup>2</sup>  
 Firebox Dimensions . . . . . 13 1/4" W x 12 1/2" D  
 Firebox volume/capacity . . . . . 0.9 ft<sup>3</sup>  
 Outside air supply . . . . . Available  
 Gross Weight . . . . . 272 Lbs  
 Efficiency rating (as measured by LHV) . . . . . 75%+

Mobile home approved . . . . . Yes  
 Washington State . . . . . Compliant

Basic Clearance (using single wall pipe top vent)

Stove to side wall . . . . . 16"  
 Stove to rear wall . . . . . 9"  
 Stove to corner . . . . . 13"



For all clearance options download installation manual from [www.morsona.com](http://www.morsona.com)



**Morsø 3100-series** Following a thorough, technical upgrade and a design lift, the stove stands out with a contemporary, elegant look and meets all the latest combustion principles. With the Morsø 3100 we are continuing all the best points from the classic Morsø stove. Thus, the stove has smooth sides on the convection model and a very fine ribbed pattern on the radiant.

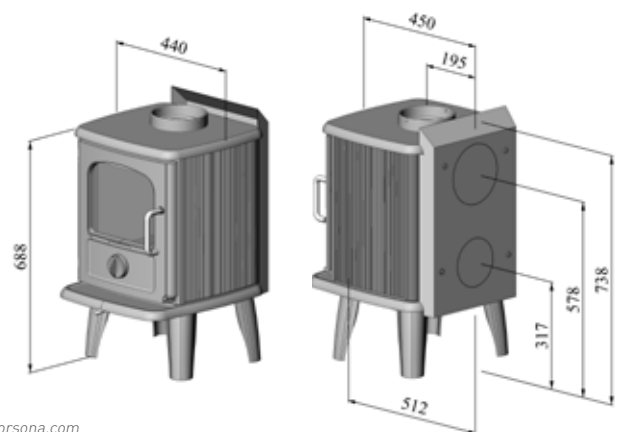
**3112**



Radiant  
 Maximum Heat . . . . . 30,000 BTU/hr  
 Test fuel load . . . . . 6.30 lbs  
 Particulate Emission . . . . . 3.1 grm/hr  
 Log size . . . . . 12"  
 Max. Area Heated . . . . . 1000 ft<sup>2</sup>  
 Firebox Dimensions . . . . . 13¼" W x 12½" D  
 Firebox volume/capacity . . . . . 0.9 ft<sup>3</sup>  
 Outside air supply . . . . . Available  
 Gross Weight . . . . . 245 Lbs  
 Efficiency rating (as measured by LHV) . . . . . 75%+

Mobile home approved . . . . . Yes  
 Washington State . . . . . Compliant

Basic Clearance (using single wall pipe top vent)  
 Stove to side wall . . . . . 20"  
 Stove to rear wall . . . . . 12"  
 Stove to corner . . . . . 17"



For all clearance options download installation manual from [www.morsona.com](http://www.morsona.com)

# 6100-series



## 6140



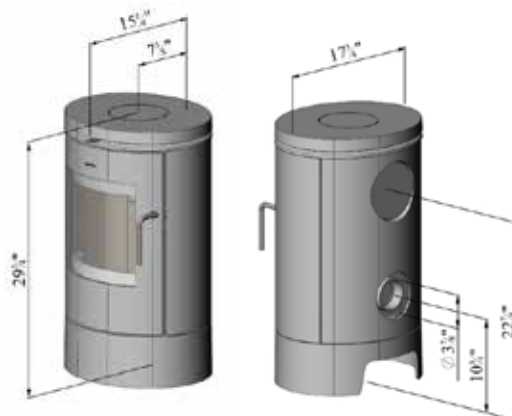
Convection

Maximum Heat . . . . . 30,000 BTU/hr  
 Test fuel load . . . . . 5.21 lbs  
 Particulate Emission . . . . . 4.1 grm/hr  
 Log size . . . . . 11"  
 Max. Area Heated . . . . . 1000 ft<sup>2</sup>  
 Firebox Dimensions . . . . . 13" W x 10" D  
 Firebox volume/capacity . . . . . 0.744 ft<sup>3</sup>  
 Gross Weight . . . . . 258 Lbs  
 Efficiency rating (as measured by LHV) . . . . . 75%+

Outside air supply . . . . . Available  
 Mobile home approved . . . . . Yes  
 Washington State . . . . . Compliant

Basic Clearance (using single wall pipe top vent)

Stove to side wall . . . . . 10"  
 Stove to rear wall . . . . . 3"  
 Stove to corner . . . . . 5"



For all clearance options download installation manual from [www.morsona.com](http://www.morsona.com)





The **Morsø 6100-series** fans the flames. The stove's unique combustion system helps ensure a higher temperature in the combustion chamber, which means low emissions. This provides you with a cleaner and more environmentally-friendly combustion and a higher level of efficiency, guaranteeing you good fuel economy. Furthermore, the elegantly designed glass door and hidden mountings provide a good view of the fire and flames.

### 6170

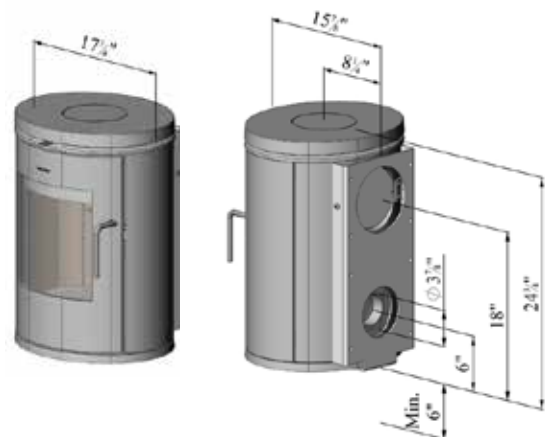


Convection - Wall mounted

Maximum Heat . . . . .	30,000 BTU/hr
Test fuel load . . . . .	5.21 lbs
Particulate Emission . . . . .	4.1 grm/hr
Log size . . . . .	11"
Max. Area Heated . . . . .	1000 ft <sup>2</sup>
Firebox Dimensions . . . . .	13" W x 10" D
Firebox volume/capacity . . . . .	0.744 ft <sup>3</sup>
Gross Weight . . . . .	260 Lbs
Efficiency rating (as measured by LHV) . . . . .	75%+

Outside air supply . . . . . Available  
 Mobile home approved . . . . . Yes  
 Washington State . . . . . Compliant

Basic Clearance (using single wall pipe top vent)	
Stove to side wall . . . . .	10"
Stove to rear wall . . . . .	.3"
Stove to corner . . . . .	.5"



For all clearance options download installation manual from [www.morsona.com](http://www.morsona.com)

# 6100-series



## 6148



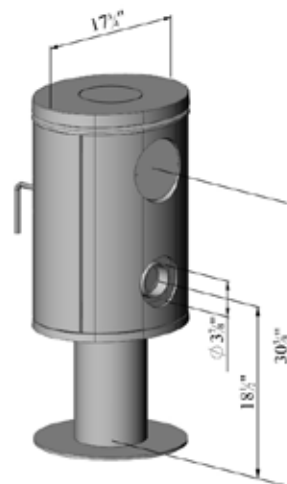
Convection

Maximum Heat . . . . .	30,000 BTU/hr
Test fuel load . . . . .	5.21 lbs
Particulate Emission . . . . .	4.1 gm/hr
Log size . . . . .	11"
Max. Area Heated . . . . .	1000 ft <sup>2</sup>
Firebox Dimensions . . . . .	13" W x 10" D
Firebox volume/capacity . . . . .	0.744 ft <sup>3</sup>
Gross Weight . . . . .	285 Lbs
Efficiency rating (as measured by LHV) . . . . .	75%+

Outside air supply . . . . . Available  
 Mobile home approved . . . . . Yes  
 Washington State . . . . . Compliant

Basic Clearance (using single wall pipe top vent)

Stove to side wall . . . . .	10"
Stove to rear wall . . . . .	3"
Stove to corner . . . . .	5"



The **Morsø 6100-series** was designed by our own architect, Karsten Aagaard, who has created with the 6100-series an elegant and timeless stove with impressive spirit and performance. The series comprises 4 models in cast iron, which purposefully share a strict and pure design. The 6140 has a low base, while the 6143 stands out as an oval pillar. The 6148 model has a high sculptural pedestal and the 6170 is the elegant wall-mounted model. All of the series adorn living rooms discreetly and stylishly with the stove's characteristically oval design. The 6100 has the Nordic Swan Eco-label and meets the strictest of environmental requirements, incl. EPA.

“My wish for the 6100 was to create a stove in a smooth, calm and clear design, which emanates an accomplished wholeness, reaching out for timelessness”.

Karsten Aagaard, designer, MAA



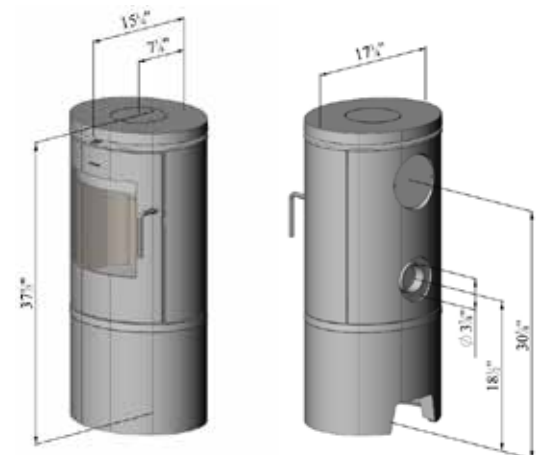
**6143**



Convection  
 Maximum Heat . . . . . 30,000 BTU/hr  
 Test fuel load . . . . . 5.21 lbs  
 Particulate Emission . . . . . 4.1 grm/hr  
 Log size . . . . . 11"  
 Max. Area Heated . . . . . 1000 ft<sup>2</sup>  
 Firebox Dimensions . . . . . 13" W x 10" D  
 Firebox volume/capacity . . . . . 0.744 ft<sup>3</sup>  
 Outside air supply . . . . . Available  
 Gross Weight . . . . . 280 Lbs  
 Efficiency rating (as measured by LHV) . . . . . 75%+

Mobile home approved . . . . . Yes  
 Washington State . . . . . Compliant

Basic Clearance (using single wall pipe top vent)  
 Stove to side wall . . . . . 10"  
 Stove to rear wall . . . . . .3"  
 Stove to corner . . . . . .5"



For all clearance options download installation manual from [www.morsona.com](http://www.morsona.com)

# 7600-series



## 7648



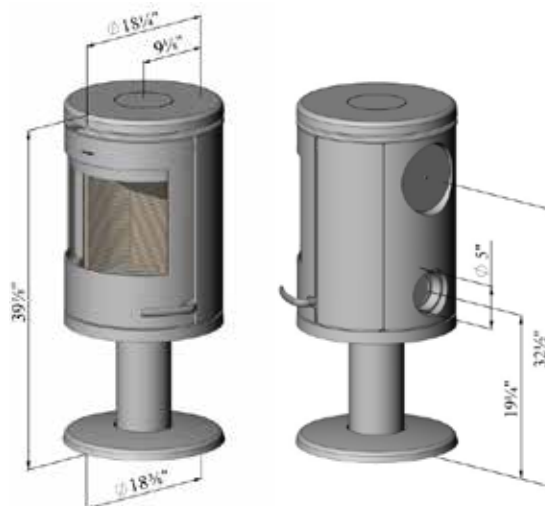
Convection

Maximum Heat . . . . .	35,000 BTU/hr
Test fuel load . . . . .	.6 lbs
Particulate Emission . . . . .	4.4 grm/hr
Log size . . . . .	11"
Max. Area Heated . . . . .	1200 ft <sup>2</sup>
Firebox Dimensions . . . . .	13" W x 10½" D
Firebox volume/capacity . . . . .	0,85 ft <sup>3</sup>
Gross Weight . . . . .	300 Lbs
Efficiency rating (as measured by LHV) . . . . .	75%+

Outside air supply . . . . . Available  
 Mobile home approved . . . . . Yes  
 Washington State . . . . . Compliant

Basic Clearance (using single wall pipe top vent)

Stove to side wall . . . . .	15"
Stove to rear wall . . . . .	1"
Stove to corner . . . . .	2½"



**Morsø 7600-series** was designed by Monica Ritterband, currently one of Denmark's most sought-after designers. Monica Ritterband is known for her pioneering designs, which all take their starting point in her unique universes and totally special, organic language of form and lines. Thus, the Morsø 7600 was also created in this way – it is completely unique with its circular form, round feminine transitions and its huge glass window, the biggest in Morsø's history of stoves.

“My idea was to create a stove with organic, rounded forms. Circular, soft, gentle and feminine in expression. At the same time, the stove had to allow an expansive view of the fire itself.”

Monica Ritterband, artist and designer



**7644**

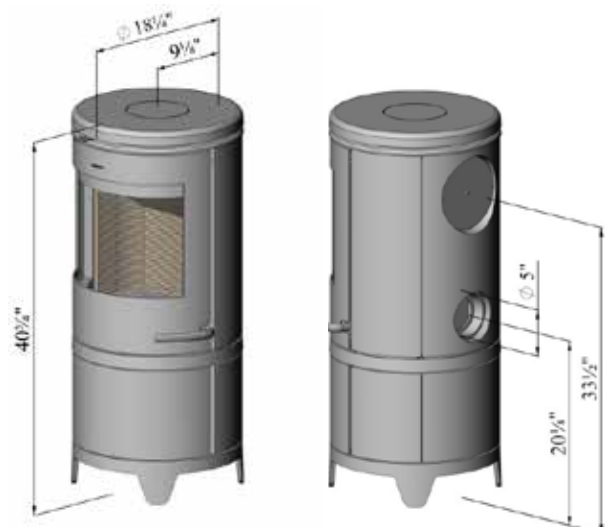


Convection

- Maximum Heat . . . . . 35,000 BTU/hr
- Test fuel load . . . . . .6 lbs
- Particulate Emission . . . . . 4.4 grm/hr
- Log size . . . . . .11"
- Max. Area Heated. . . . . 1200 ft<sup>2</sup>
- Firebox Dimensions . . . . . 13" W x 10½" D
- Firebox volume/capacity . . . . . 0,85 ft<sup>3</sup>
- Gross Weight . . . . . 348 Lbs
- Efficiency rating (as measured by LHV) . . . . . 75%+

- Outside air supply . . . . . Available
- Mobile home approved. . . . . Yes
- Washington State. . . . .Compliant

- Basic Clearance (using single wall pipe top vent)
- Stove to side wall. . . . . .15"
- Stove to rear wall. . . . . 1"
- Stove to corner . . . . . 2½"



For all clearance options download installation manual from [www.morsona.com](http://www.morsona.com)

# 7600-series

For Monica Ritterband the **Morsø 7600** is a work of art – a living being to warm the home and body. The 7600-series is based on the convection principle and delivers fantastically clean and efficient combustion. Furthermore, it is both intuitive and easy to use, since the air intake – and therefore the combustion and heat output - are controlled with a single handle. The stove is fitted with an advanced combustion system with tertiary air supply, providing optimal control of the combustion process. Monica Ritterband also designed the accessories for the stove: Kettle, trivets, fire tools and firewood holder, where the universe and inspiration are "Feet".



## 7642



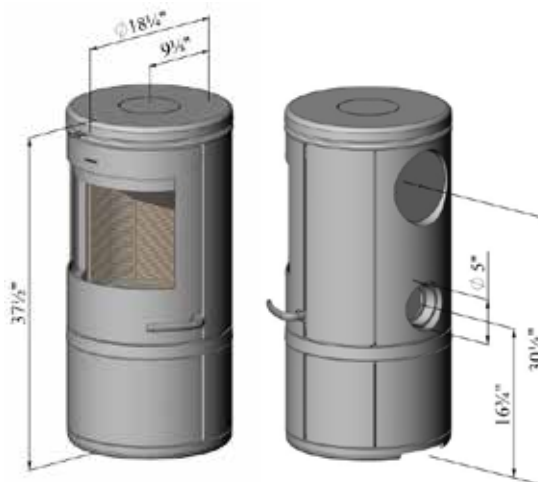
Convection

Maximum Heat . . . . . 35,000 BTU/hr  
 Test fuel load . . . . . .6 lbs  
 Particulate Emission . . . . . 4.4 grm/hr  
 Log size . . . . . .11"  
 Max. Area Heated. . . . . 1200 ft<sup>2</sup>  
 Firebox Dimensions . . . . . 13" W x 10½" D  
 Firebox volume/capacity . . . . . 0,85 ft<sup>3</sup>  
 Gross Weight . . . . . 344 Lbs  
 Efficiency rating (as measured by LHV) . . . . . 75%+

Outside air supply . . . . . Available  
 Mobile home approved . . . . . Yes  
 Washington State. . . . . Compliant

Basic Clearance (using single wall pipe top vent)

Stove to side wall. . . . . .15"  
 Stove to rear wall. . . . . .1"  
 Stove to corner . . . . . 2½"





## 7670



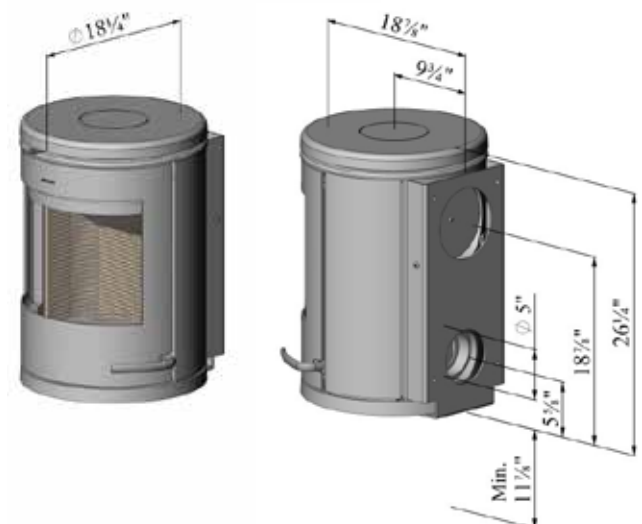
Convection - Wall mounted

Heat output range (Lab test) . . . . .10,875-21,267 BTU/hr  
 Test fuel load . . . . .6 lbs  
 Particulate Emission . . . . . 4.4 grm/hr  
 Log size . . . . . 11"  
 Max. Area Heated . . . . . 1200 ft<sup>2</sup>  
 Firebox Dimensions . . . . . 13" W x 10½" D  
 Firebox volume/capacity . . . . . 0,85 ft<sup>3</sup>  
 Gross Weight . . . . . 282 Lbs  
 Efficiency rating (as measured by LHV) . . . . . 75%+

Outside air supply . . . . . Available  
 Mobile home approved . . . . . Yes  
 Washington State . . . . .Compliant

Basic Clearance (using single wall pipe top vent)

Stove to side wall . . . . .15"  
 Stove to rear wall . . . . . 1"  
 Stove to corner . . . . . 2½"



For all clearance options download installation manual from [www.morsona.com](http://www.morsona.com)

# 7900-series



Morsø has yet again gone the extra mile in their uncompromising efforts to make fire a natural, decorative and aesthetically integrated part of the comfort and warmth of our homes. Morsø has created a stove which in the smallest detail shows that it has been well thought out. The first impression is of its large viewing glazed area. The very large panes in the front and sides of the stove quite naturally bring the play and life of the flames into the surrounding environment, because the fire is equally visible from all parts of the room, even the sides.

## 7940



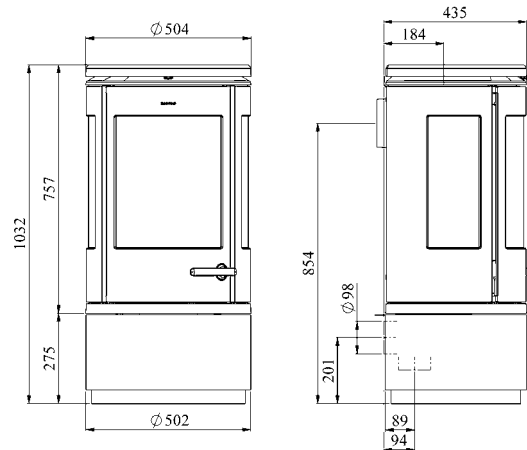
Convection

Maximum Heat . . . . . 35,000 BTU/hr  
 Test fuel load . . . . . 5 lbs  
 Particulate Emission . . . . . 4,0 grm/hr  
 Log size . . . . . 9"  
 Max. Area Heated . . . . . 1200 ft<sup>2</sup>  
 Firebox Dimensions - up to . . . . . 11,5" W x 10" D  
 Firebox volume/capacity . . . . . 0,76 ft<sup>3</sup>  
 Gross Weight . . . . . 348 Lbs  
 Efficiency rating (as measured by LHV) . . . . . 73%+

Outside air supply . . . . . Available  
 Mobile home approved . . . . . No  
 Washington State . . . . . Compliant

Basic Clearance (using single wall pipe top vent)

Stove to side wall . . . . . 23"  
 Stove to rear wall . . . . . 5"  
 Stove to corner - closest distance to side . . . . . 7"







Morsø 7943 with plain base

Morsø has with the 7900 series created an entirely new series of stoves, whose sharp design manages to suit most homes. A series of stoves whose smallest detail shows a tireless ability to empathise and will to embrace diversity.

### 7943

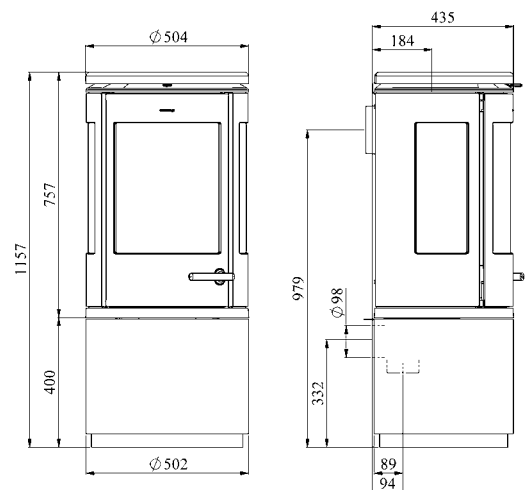


Convection

- Maximum Heat . . . . . 35,000 BTU/hr
- Test fuel load . . . . . .5 lbs
- Particulate Emission . . . . . 4,0 grm/hr
- Log size . . . . . 9"
- Max. Area Heated. . . . . 1200 ft<sup>2</sup>
- Firebox Dimensions - up to . . . . . 11,5" W x 10" D
- Firebox volume/capacity . . . . . 0,76 ft<sup>3</sup>
- Gross Weight . . . . . 390-429 Lbs
- Efficiency rating (as measured by LHV) . . . . . 73%+

- Outside air supply . . . . . Available
- Mobile home approved. . . . . No
- Washington State. . . . . Compliant

- Basic Clearance (using single wall pipe top vent)
- Stove to side wall . . . . . 23"
  - Stove to rear wall. . . . . 5"
  - Stove to corner - closest distance to side. . . . . 7"



Morsø 7943 is also available with a drawer or log store

# 7900-series



**Morsø 7948** lightly and elegantly raises the firebox, enclosed by the spectacular side and front panels. Alone in the 7900 series, the Morsø 7948 is available in both black and brown versions. Morsø has used the warm brown colour to give the cast iron a soft and living shade, which beautifully sets off the golden glow of the flames.

## 7948



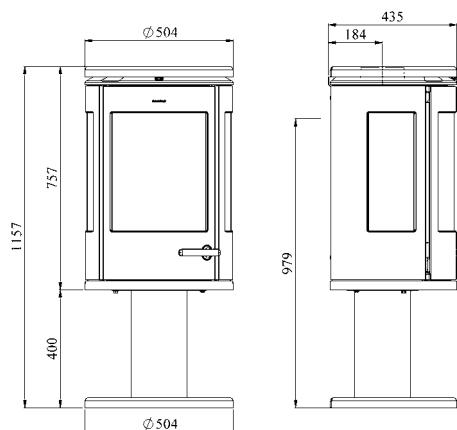
Convection

Maximum Heat . . . . . 35,000 BTU/hr  
 Test fuel load . . . . . .5 lbs  
 Particulate Emission . . . . . 4,0 grm/hr  
 Log size . . . . . 9"  
 Max. Area Heated . . . . . 1200 ft<sup>2</sup>  
 Firebox Dimensions - up to . . . . . 11,5" W x 10" D  
 Firebox volume/capacity . . . . . 0,76 ft<sup>3</sup>  
 Gross Weight . . . . . 388 Lbs  
 Efficiency rating (as measured by LHW) . . . . . 73%+

Outside air supply . . . . . Available  
 Mobile home approved . . . . . No  
 Washington State . . . . . Compliant

Basic Clearance (using single wall pipe top vent)

Stove to side wall . . . . . 23"  
 Stove to rear wall . . . . . 5"  
 Stove to corner - closest distance to side . . . . . 7"





The Morsø 7970 wood burner is a modern sculpture that will enhance the aesthetics of its surroundings. The experience of natural fire enriches the room creating the cosiest environment. A refined wood burning stove with an uncompromising focus on details.

### 7970

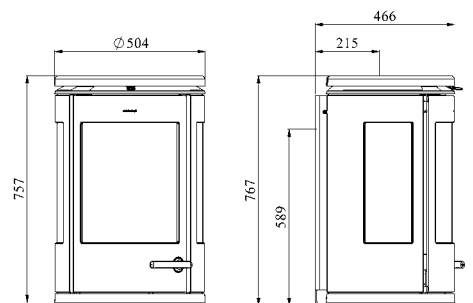


Convection - wall model

- Maximum Heat . . . . . 35,000 BTU/hr
- Test fuel load . . . . . .5 lbs
- Particulate Emission . . . . . 4,0 grm/hr
- Log size . . . . . 9"
- Max. Area Heated. . . . . 1200 ft<sup>2</sup>
- Firebox Dimensions - up to . . . . . 11,5" W x 10" D
- Firebox volume/capacity . . . . . 0,76 ft<sup>3</sup>
- Gross Weight . . . . . 337 Lbs
- Efficiency rating (as measured by LHV) . . . . . 73%+

- Outside air supply . . . . . Available
- Mobile home approved. . . . . No
- Washington State. . . . . Compliant

- Basic Clearance (using single wall pipe top vent)
- Stove to side wall . . . . . 23"
  - Stove to rear wall. . . . . 5"
  - Stove to corner - closest distance to side. . . . . 7"



# 7900-series



Morsø 7990 with plain sides

## 7990



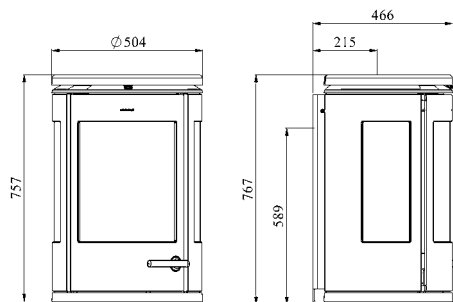
Convection

Maximum Heat . . . . .	35,000 BTU/hr
Test fuel load . . . . .	.5 lbs
Particulate Emission . . . . .	4.0 grm/hr
Log size . . . . .	9"
Max. Area Heated. . . . .	1200 ft <sup>2</sup>
Firebox Dimensions - up to . . . . .	11.5" W x 10" D
Firebox volume/capacity . . . . .	0.76 ft <sup>3</sup>
Gross Weight . . . . .	412 Lbs
Efficiency rating (as measured by LHV) . . . . .	73%+

Outside air supply . . . . .	Available
Mobile home approved . . . . .	No
Washington State . . . . .	Compliant

Basic Clearance (using single wall pipe top vent)

Stove to side wall . . . . .	23"
Stove to rear wall . . . . .	5"
Stove to corner - closest distance to side. . . . .	7"



Morsø 7990 is also available with a drawer or log store



Morsø 7900-serien series is light and elegant whatever combination of stove modules is chosen. This not least because we have used the small recessed plinth to visually raise the stove, so that the pure and solid cast iron is experienced as light and almost hovering.

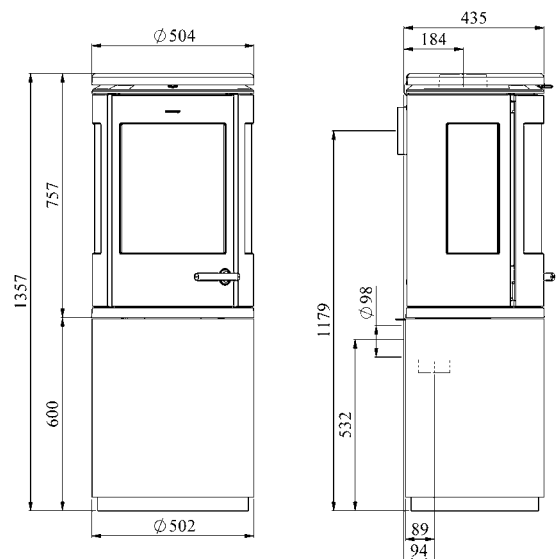
### 7990 with log store



Convection	
Maximum Heat	35,000 BTU/hr
Test fuel load	5 lbs
Particulate Emission	4,0 grm/hr
Log size	9"
Max. Area Heated	1200 ft <sup>2</sup>
Firebox Dimensions - up to	11,5" W x 10" D
Firebox volume/capacity	0,76 ft <sup>3</sup>
Gross Weight	425 Lbs
Efficiency rating (as measured by LHV)	73%+

Outside air supply	Available
Mobile home approved	No
Washington State	Compliant

Basic Clearance (using single wall pipe top vent)	
Stove to side wall	23"
Stove to rear wall	5"
Stove to corner - closest distance to side	7"



# 8100-series

The **Morsø 8100-series** comprises 5 cast-iron stoves, which set new standards in stove design both in terms of functionality and aesthetics. The stove has a clean and simple design, where the combination of soft, rounded contours and simple details give the stove a light and timeless look. This guarantees you a classically beautiful stove that will last for decades, while the cast iron's raw and living structure will provide both a rustic and exclusive tone. The flexibility of working with cast iron has enabled us to design a number of details for the stove, which will warm your spirit not just your home. The Morsø 8100 is also available on a pedestal (8148), giving the stove an airy and elegant appearance. The stove's large glass area provides a lively feel to the fire's dance in the top of the fire.



8148



8140



8142

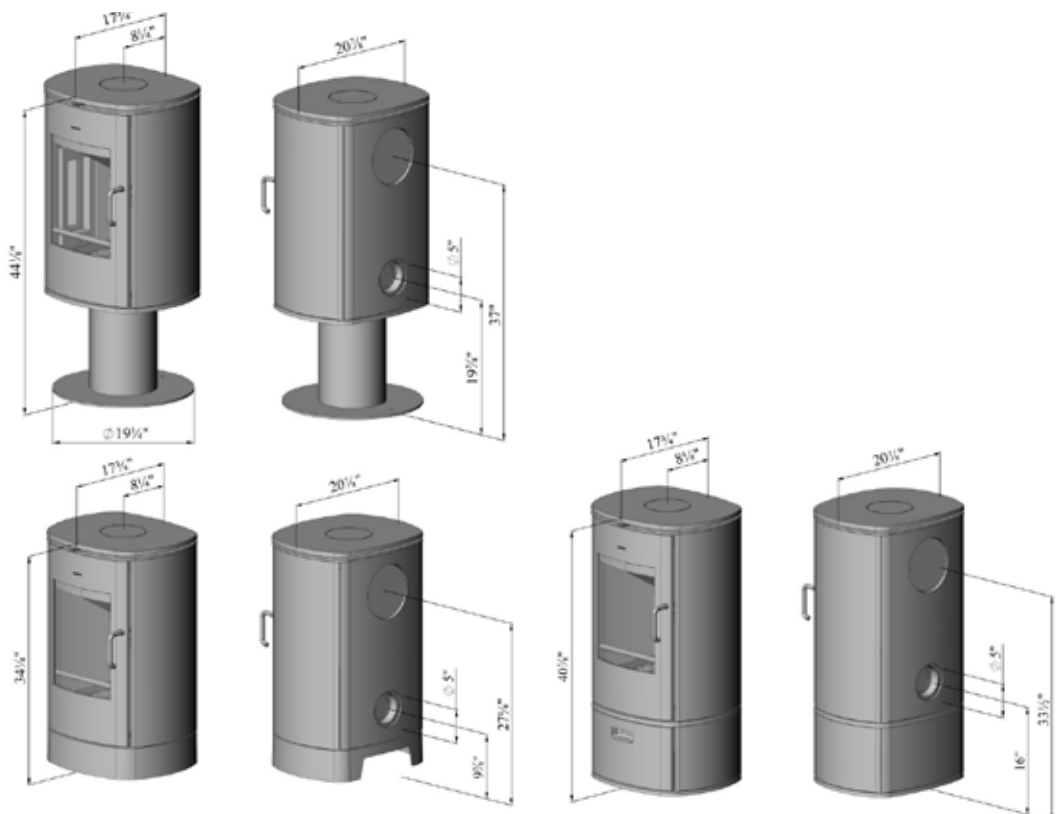
## 8140 & 8148



- Convection
- Maximum Heat . . . . . 35,000 BTU/hr
- Test fuel load . . . . . 7.35 lbs
- Particulate Emission . . . . . 4.5 gm/hr
- Log size . . . . . 12"
- Max. Area Heated . . . . . 1200 ft<sup>2</sup>
- Firebox Dimensions . . . . . 13¾" W x 11½" D
- Firebox volume/capacity . . . . . 1.05 ft<sup>3</sup>
- Gross Weight 8140 . . . . . 384 Lbs
- Gross Weight 8142 . . . . . 458 Lbs
- Gross Weight 8148 . . . . . 465 Lbs
- Efficiency rating (as measured by LHV) . . . . . 75%+

- Outside air supply . . . . . Available
- Mobile home approved . . . . . Yes
- Washington State . . . . . Compliant

- Basic Clearance (using single wall pipe top vent)
- Stove to side wall . . . . . 10"
- Stove to rear wall . . . . . 6"
- Stove to corner . . . . . 6"



**Elegance In Scandinavian Soapstone** - Offering all of the feature of the 8100 series, 8150 and 8151 are presented wrapped in a beautiful, thick Scandinavian Soapstone jacket. Not only recognized for it's natural beauty, soapstone also offers fantastic heat storage properties and long after the fire has gone out the thick soapstone panels will continue to deliver warmth into your home.



**8150**



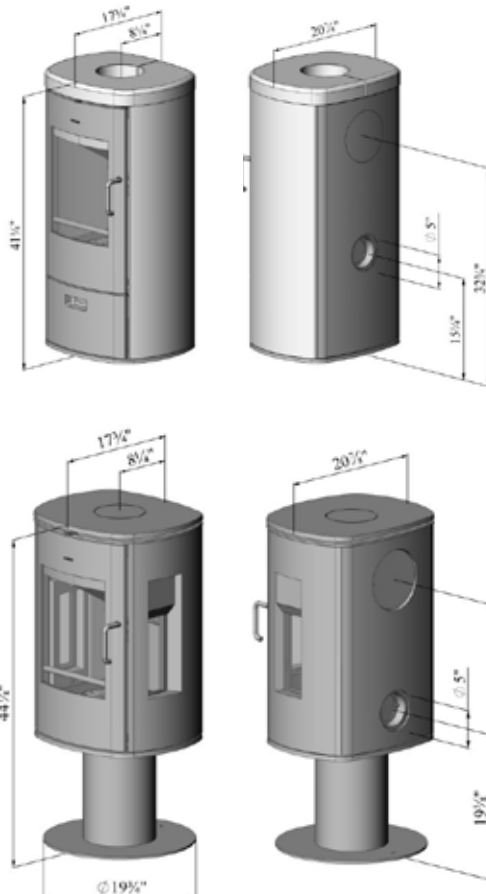
**8188**

**8150**

Radiant  
 Maximum Heat . . . . . 35,000 BTU/hr  
 Test fuel load . . . . . 7.35 lbs  
 Particulate Emission . . . . . 4.5 grm/hr  
 Log size . . . . . 12"  
 Max. Area Heated. . . . . 1200 ft<sup>2</sup>  
 Firebox Dimensions . . . . . 13¾" W x 11½" D  
 Firebox volume/capacity . . . . . 1.05 ft<sup>3</sup>  
 Gross Weight 8150 . . . . . 764 Lbs  
 Gross Weight 8151 . . . . . 703 Lbs  
 Efficiency rating (as measured by LHV) . . . . . 75%+



Outside air supply . . . . . Available  
 Mobile home approved . . . . . Yes  
 Washington State. . . . . Compliant  
 Basic Clearance (using single wall pipe top vent)  
 Stove to side wall . . . . . 10"  
 Stove to rear wall . . . . . 6"  
 Stove to corner . . . . . 6"



**8188**

Convection  
 Maximum Heat . . . . . 35,000 BTU/hr  
 Heat output range (Lab test). . . . . 12,084-25,496 BTU/hr  
 Test fuel load . . . . . 8.12 lbs  
 Particulate Emission . . . . . 5.1 grm/hr  
 Log size . . . . . 12"  
 Max. Area Heated. . . . . 1200 ft<sup>2</sup>  
 Firebox Dimensions . . . . . 13¾" W x 11½" D  
 Firebox volume/capacity . . . . . 1.16 ft<sup>3</sup>  
 Gross Weight . . . . . 408 Lbs  
 Efficiency rating (as measured by LHV) . . . . . 75%+



Outside air supply . . . . . Available  
 Mobile home approved . . . . . Yes  
 Basic Clearance (using single wall pipe top vent)  
 Stove to side wall . . . . . 16"  
 Stove to rear wall . . . . . 4"  
 Stove to corner . . . . . 8"

For all clearance options download installation manual from [www.morsona.com](http://www.morsona.com)

# Morsø Forno Outdoor Oven



Ah yes – at Morsø we love fire. We love the way we naturally are drawn toward it, focusing on the allure of the dancing flames. Based on our strong traditions we have created an innovative exciting outdoor world that you, your family and friends can migrate to throughout the Summer.



- Morsø Pizza Peel
- Morsø Ash Scraper
- Morsø Fire Tongs



Morsø Tuscan Grill



Morsø Kubic Firestarters



# Morsø Living Products



Internally, the oven is shaped like an Italian stone oven. The wide, low ceilinged firebox produces optimal radiant heat and plenty of space for firewood to be pushed aside when it's time to cook. The oven is made of solid enamelled cast iron to last for many seasons if used and cared for correctly.



Morsø Outdoor Table



BEL-Bio-ethanol Lamp



Morsø Fire Pit with grate



# Morsø Grill Forno



• Morsø Grill Forno

• Morsø Frying Pan



• Morsø Grill Plate

The Morsø Grilling platter is made of powder coated enameled cast iron and is perfect for keeping grilled meats and other dishes sizzling hot.

The platter is oval and has a subtle slope that collects meat juices so that your grilled foods remain crisp and fresh tasting.

The Morsø Grilling Platter is elegant and suitable for any table, whether brought into the home or on the barbeque table outside



• Grill Forno Door

## Morsø Kamino

The Morsø Grill Forno is made from a solid enamelled cast iron that gives unsurpassed advantages in connection with grilling.

The cast iron grill is fitted on a base with 3 legs made from teak that are held together with a stainless steel ring.

A coal insert and a grill grate both made from cast iron come with the Grill Forno. The special surface of the grill grate has innumerable small pores that absorb the fat and flavourings from the meat. A unique feature which ensures that the meat is grilled in its own juices – unlike stainless steel grates where the meat is NOT grilled but roasted.

In addition to the Grill Forno, is a separate stainless steel door available. Fitted on the Morsø Grill Forno, makes both slow cooking, and smoking possible.



• Morsø Kamino - with base



• Morsø Kamino - without base

The outdoor fireplace "Morsø Kamino" is shaped from cast iron and can – besides decorating and heating all outdoor surroundings – also prolong the outdoor experience – from early spring months, through the chilly summer nights until the beginning of autumn.

Morsø Kamino can be turned depending on the wind direction.

# Original accessories

It's not just the wood-burning stove itself that emits the special atmosphere of warmth and comfort in your home. With original accessories from Morsø you can dot the i's and cross the t's and raise the standard of your stove, fire and tools. At the same time, a flue gas thermometer and a humidity meter from Morsø can help you use your stove efficiently, economically and with respect for the environment.



CURVA FELT BASKET

With "CURVA", Morsø has created a functional and aesthetically beautiful piece that encompasses all the fire tools in such a way that each product in the series has its own function, and nothing is superfluous.

The dish stores the firelighters, the dustpan holds the brush and also forms the lid of the dish, the poker fits behind the oven with the aid of a magnet, while the basket stores the firewood.

"CURVA" was designed by Josefine Bentzen, whose passion for the Scandinavian design tradition creates new Nordic product designs. Her work is characterised by people always being the starting point for the functionality, ergonomics and aesthetic appearance of the products.



CURVA POKER



CURVA FIRE TOOLS



MORSØ FLUE GAS THERMOMETER

The Morsø flue gas thermometer is attached to the flue pipe with a magnet and is used to measure the temperature of the smoke in the flue pipe right above the stove.



MORSØ LEATHER GLOVE

This practical protective glove is made with thick leather and is available in black with the Morsø logo in white. The gloves are available for either left and right hand.

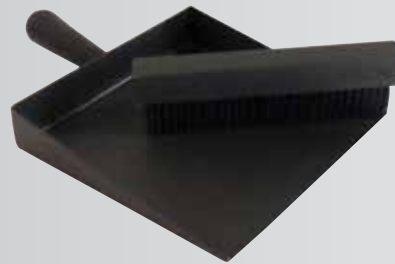
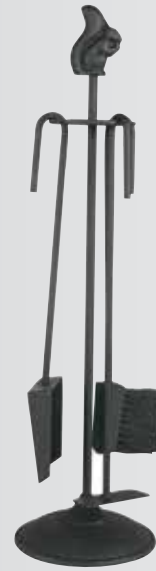


### MORSØ FIRETOOLS COMPLETE

Complete Fireplace Tool Set is very well thought out and has clean lines, making it a perfect companion to Morsø's minimalist stoves. The tools are made of quality materials with comfortable rubber grips.  
H: 16" x W: 8" x D: 4½"

### MORSØ FIRETOOLS CLASSIC

The classic Morsø fire tools are a three-piece set that come with a cast iron base, with the signature Morsø squirrel on top. Height: 27".



### MORSØ DUSTPAN AND BROOM

The dustpan is 7¾" wide and functionally executed in black, powder-coated steel with ergonomic rubber handles. The brush has black, natural bristles and a black wooden handle with a "Morsø" embossment.

### FIREPLACE TOOL SET LOOP

The new Loop Firetool set is a fine example of when design meets with function. This 3 tool set is wall mounted and incorporates the following ergonomic pieces: Poker/Log Rake with soft rubber handle - Rubber Brush - Rubber Ash Scoop. All tools fit neatly together to form true 'Fireside Art'  
6½" x H: 20½"



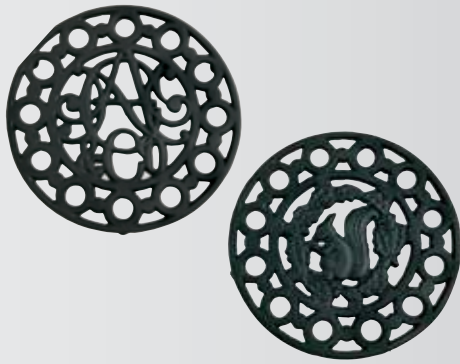
### MORSØ CAST IRON HUMIDIFIER

Morsø cast iron kettles are available in two sizes, 2.0 liter or 4.5 liter. Made of enameled cast iron, the kettles are suitable as humidifiers and as a decoration on the stove.



### LOOP LOG RING

The Loop Log Ring is designed to neatly and cleanly stack firewood logs. It incorporates a soft rubber handle for carrying comfort and a soft rubber mat/tray to catch any dust or debris. Loop log ring: w: 24½" x D: 16½"



### MORSØ CAST IRON TRIVET

Made with high quality cast iron, the Morsø Trivet is 10" in diameter and has a matt-black enameled coating. Two Morsø trivets are available: the Classic Morsø Trivet with the original Morsø trademark from the 18th century monogrammed in the center; and the new Morsø Trivet that features the ever-popular Morsø squirrel.



### MORSØ STOVE THERMOMETER

The Morsø stove thermometer is designed to ensure the correct operating temperature of your new Morsø stove



### MORSØ MINI STOVES

The Morsø Mini Stoves are made from the same high-quality cast iron and with the same impeccable craftsmanship as a regular Morsø stove. It is a decorative addition to the home, and tea light can be used to add the cozy and familiar flame behind the glass. 1410:10½"(h) x 3"(w) x 7"(d) 2BUO:10½"(h) x 3"(w) x 7"(d) 6140: 8"(h) x 4¾"(w) x 4"(d)



### MORSØ WOOD MOISTURE METER

Ensures that wood fuel has the correct moisture content thus maximizing fuel combustion and fuel efficiency.



The Morsø Child Guard is an essential accessory for homes with children and pets. Efficient and elegant, this superbly constructed Morsø accessory is equipped with two side panels and wall fittings. Height x Width x Length: 27½" x 39" x 37".



Owning a stove is a commitment and you must take care of your Morsø stove if you want it to last a long time. In this regard we advice you to use only genuine Morsø materials for installation and regular maintenance.

### MORSØ FIREWOOD BUCKET LARGE & SMALL

The Morsø Firewood Bucket is painted in a non-gloss powder coating that gives the bucket the same surface finish as a Morsø stove. Height x Diameter: 13½" X 17½".



### MORSØ ASH AND STORAGE BUCKET

This four gallon bucket comes with a tight fitting lid to ensure containment of ashes until all embers are put out. Height x Diameter 14½" x 12"



### MORSØ CANVAS WOOD CARRIER

This handy wood carrier is made of black canvas and has sturdy wooden handles. Height x Width: 24½" x 16½"

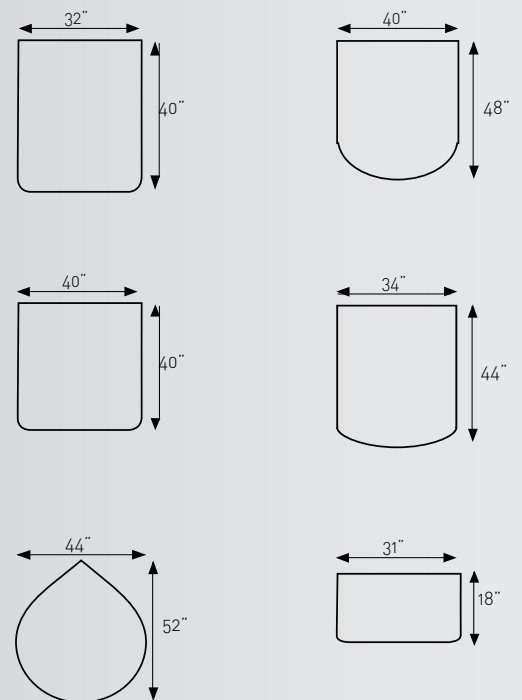
### MORSØ FIREWOOD BOX WITH CANVAS WOOD CARRIER

The Morsø Firewood Box is painted with a non-gloss powder coating that gives the same surface finish as a Morsø stove. Height x Width x Length: 12" x 15" x 17½". Morsø Canvas Wood Carrier is included.



### MORSØ HEARTH PLATES

Morsø offers a wide selection of hearth plates in glass and in black powder-coated steel. The Morsø black and steel hearth plates are made from 2 mm high-quality steel with a non-gloss finish that matches Morsø stoves. The Morsø glass hearth plate is made with 8 mm clear glass that has a specially beveled edge to give the hearth plate an elegant and exclusive look. The steel square and rectangle plates have slightly rounded edges.





[www.morsona.com](http://www.morsona.com)

